

Bird Screen

Bird window-kill prevention screen

Mid-screen Frame

Installation Instructions

1. Package Contents - Each Mid-screen Frame should include the following: (Figure 1)

Long Suction Cup Screws - 2 each
Screw Sleeves - 2 each
Suction Cups - 2 each
Frame Halves - 2 each

Mid-Screen Frame Parts List

(Not to scale)

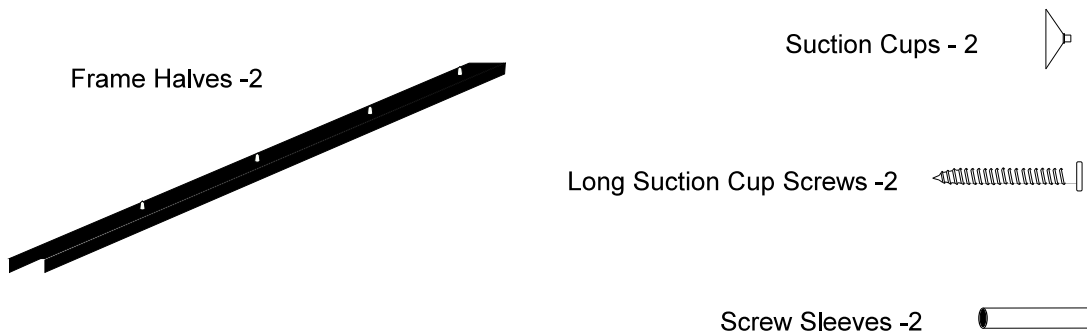


Figure 1

2. Tools needed

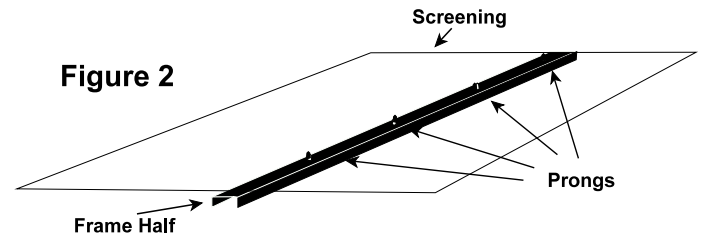
Medium Phillips Head Screwdriver
Rubber Mallet (optional)
Tape

STEP 4 - Mid-Screen Frame Assembly

1. Lay the Bird Screen on a flat surface and measure from the top to the mid-section of the screen and mark the screen on each side with a piece of tape.

2. Place one of the mid-screen frame halves under the screen just above the marks on the screen (that you made in paragraph 1 above) and gently press the screen onto the prongs sticking up. (Figure 2)

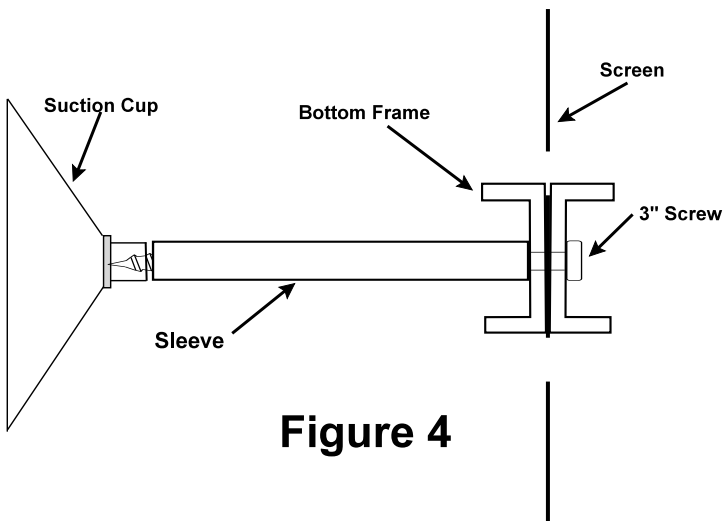
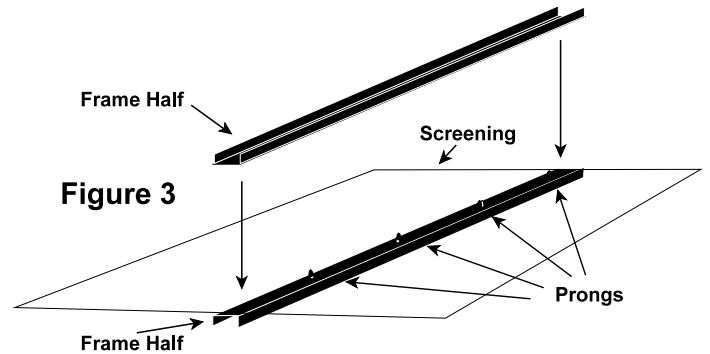
3. Place the other mid-screen frame half on the top of the screen and line up the holes in the top half with the prongs on the bottom half and press the top half onto the bottom half until flush. You can use a rubber mallet to do this task, but be careful not to break the frame. (Figure 3)



STEP 5 - Mid-screen Bracket Assembly

1. **Gently** screw the 3" screws through the holes in the mid-screen frame, then through the sleeve and then into the suction cups. (Figure 4)

2. After assembly, hang the Bird Screen from the screw hooks or upper brackets, then press the bottom and mid-screen suction cups onto the glass so that the Bird Screen is taught.



The Bird Screen Company

2469 Hammertown Road
Narvon, Pa 17555-9730

717-445-9609

Email: bird_screen@birdscreen.com

Web Site: www.birdscreen.com